

# Display module for PMM-300

## PMM-320

### FEATURES

- Display module for PMM-300
- Status display : system ok, sensor ok, alarm & danger
- Bargraph and alarm threshold display
- Automatic configuration
- Connection to max. 8x PMM-300
- Side connection to PMM-300

### Related systems :



### DESCRIPTION

Display module designed for PMM-300, the PMM-320 displays the overall status of all interconnected PMM-300 modules (system ok, sensor ok, alarm & danger) and detailed views of each module (monitoring values, alarms thresholds & bargraphs) for each channel. The PMM-320 is auto configured. The system scans all modules available on the interconnection bus and displays values according to their specific configuration.

## GLOBAL SPECIFICATION

---

### DISPLAY FUNCTIONS

Compatibility	PMM-300 via side connectors Automatic configuration Max. 8 modules
Global view	
Global status overview	System ok Sensors ok Alarm & danger
Modules status overview	Modules availability System ok Sensor ok Alarm & danger
Module view	
Channel 1..4 data visualization	Description Alarm & danger @ OTP 1 Alarm & danger @ OTP 2 Monitoring parameters
Channel 1..4 bargraphs	Colour : Green : No alarm Yellow : Alarm Red : Danger Alarm & danger position Scale
Functionality	Reset Alarm Channel inhibit

---

### SCREEN CHARACTERISTICS

Type	Touchscreen 4.1" (420x272 pixels) 24-bits true colour Interface : finger / stylus pen
Screen protection	Automatic screen off
Local LED's indication	1x Power supply check 1x System ok 1x Configuration check 1x CPU activity 1x Modbus activity

---

### POWER SUPPLY

Supply voltage (via PMM-300)	+24VDC (18V to 36VDC) / 5W
Protection	2A fused Overvoltage protection Inverse polarity protection

---

### ENVIRONMENTAL

Temperature range	
Operation	0° to 55°C
Storage	-20°C to 70°C

---

### PHYSICAL CHARACTERISTICS

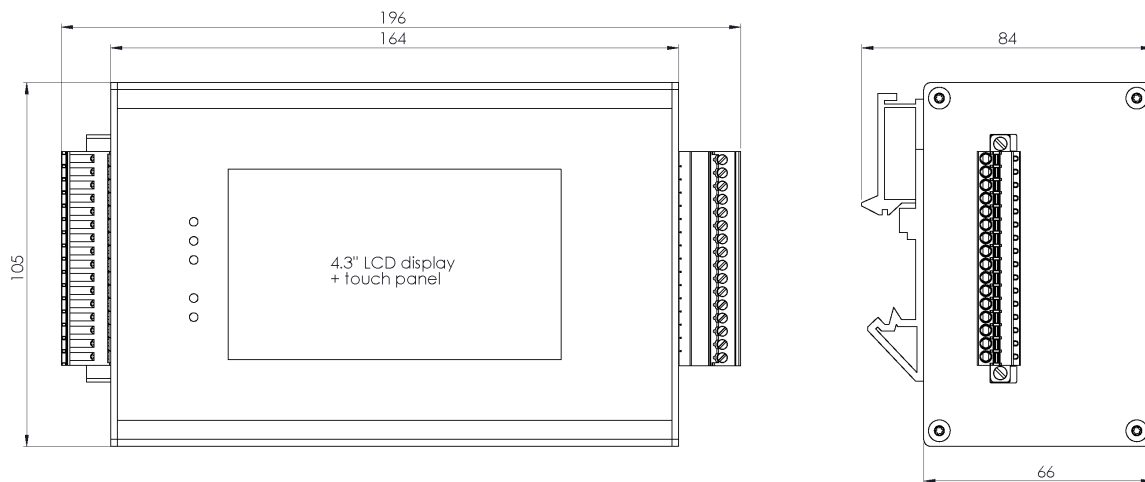
Mounting	DIN 35mm rail
Dimensions (LxHxD)	164 x 105 x 66 mm

---

## ORDERING INFORMATION

Part type PMM-320  
Ordering code 20.320.000  
Display module

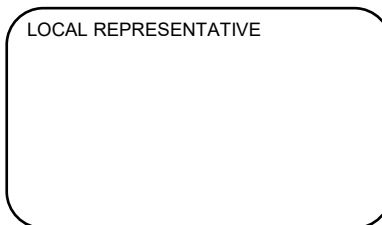
## MECHANICAL DRAWING



MC-monitoring Quality certifications



LOCAL REPRESENTATIVE



MC-monitoring SA  
Route André Piller 19 | PO BOX 97  
CH-1762 Givisiez | Switzerland  
Phone : +41 58 411 54 00  
Fax : +41 58 411 54 10  
Mail : [info@mc-monitoring.com](mailto:info@mc-monitoring.com)  
[sales@mc-monitoring.com](mailto:sales@mc-monitoring.com)  
Web : [mc-monitoring.com](http://mc-monitoring.com)