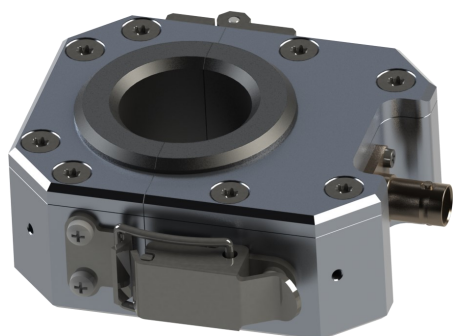


## **Partial Discharge High Frequency Clamp-on Current Transformer - $\phi$ 30mm**



### **Key Features** \_\_\_\_\_

- Diameter 30mm
- Wideband Frequency Range 250kHz.. 100MHz (-3dB)

### **Applications** \_\_\_\_\_

- PD Measurements on High Voltage Cables and Transformer

**HFTC-0030**

### **General Description** \_\_\_\_\_

The **HFTC-0030** Partial Discharge High Frequency Clamp-on Current Transformer is ideally suited for Partial Discharge measurements especially for Measurement on High Voltage Cables, industrial Motors or aon transformes. The use of the **HFTC-0030** allows to measure at any time, as the clamp-on transformer can be installed in must of the cases even the testobject is under high voltage. The **HFTC-0030** offers a standard BNC female connector for an easy connection together with standard coaxial cables as RG58.

### **Ordering Information** \_\_\_\_\_

Order Code:	19.0c30.0100	1x HFTC-0030 High Frequency Current Transformer
	19.3c30.0100	3x HFTC-0030 High Frequency Current Transformer 1x TB-004, 100m RG58c/u Coaxial Cable, 6 Crimp-on Connectors

# Partial Discharge High Frequency Clamp-on Current Transformer - $\varnothing 30\text{mm}$



**HFTC-0030**

## Technical Data

---

### Electrical

---

Frequency Range (-3dB): 250kHz .. 100MHz

Saturation Current (50/60Hz): >16A

### Environment

---

Operating Temperature Range: -20 .. +125°C

### Mechanical

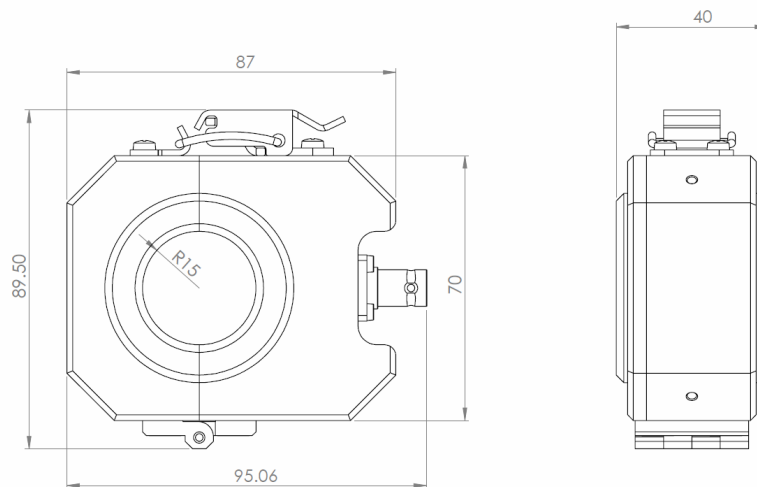
---

Inner Diameter: 30mm      Weight: 500g

### Dimensions

---

Outline:



Sparks Instruments SA reserves the right, without further notice, to change the product specifications and/or the information on this document to improve reliability, functions and design of this product. © 2015, Sparks Instruments SA, All rights reserved.

## Contact

---

### Sparks Instruments SA

Route de Montena 85, CH-1728 Rossens  
Switzerland

*Sales Representative*

Phone: +41 (0)26 301 30 04  
Email: [sales@sparksinstruments.com](mailto:sales@sparksinstruments.com)  
Web: [www.sparksinstruments.com](http://www.sparksinstruments.com)